

**FF150974A****FORD**

Front suspension package  
Ensemble pour suspension avant  
Ensemble para suspensión de delantero

**INSTALLATION INSTRUCTIONS**

- Raise vehicle allowing the axle to hang freely.
- Remove existing bump stop assembly from lower control arm.
- Fasten Timbren rubber spacer (#4) into existing hole in control arm using fasteners provided.
- Clean out any debris inside OEM frame tower and insert frame bracket (#1) through top of tower.
- Fasten bolt (#3) to Aeon® rubber spring.
- Mount Aeon rubber spring (#2) to frame tower by feeding bolt (#3) through existing hole & threading into Timbren frame bracket (#1).
- Lower vehicle.

**NOTES:**

Ensure that bolt #5 is flush with surface of Timbren rubber spacer #4. Do not over tighten.

**INSTRUCTIONS DE MONTAGE**

- Soulever le véhicule de sorte que l'essieu soit dégagé.
- Retirer l'assemblage de la butée de suspension existante du bras inférieur de suspension.
- Fixer l'entretoise en caoutchouc Timbren (no 4) dans le trou existant dans le bras de suspension en utilisant la boulonnerie fournie.
- Nettoyer tous les fragments d'usure dans le support du cadre du fabricant d'équipement et insérer le support du cadre (no 1) par le haut du support.
- Fixer le boulon (no 3) au ressort de caoutchouc Aeon®.
- Monter le ressort en caoutchouc Aeon au support du cadre en insérant le boulon (no 3) dans un trou existant et en le faisant passer par le support du cadre Timbren (no 1).
- Redescendre le véhicule.

**REMARQUES:**

S'assurer que le boulon no 5 est en contact direct avec la surface de l'entretoise en caoutchouc Timbren no4. Ne pas trop resserrer.

**INSTRUCCIONES DE INSTALACIÓN**

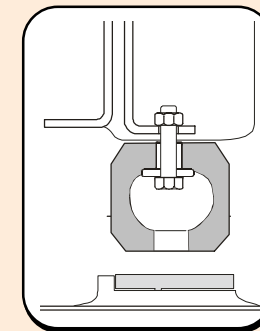
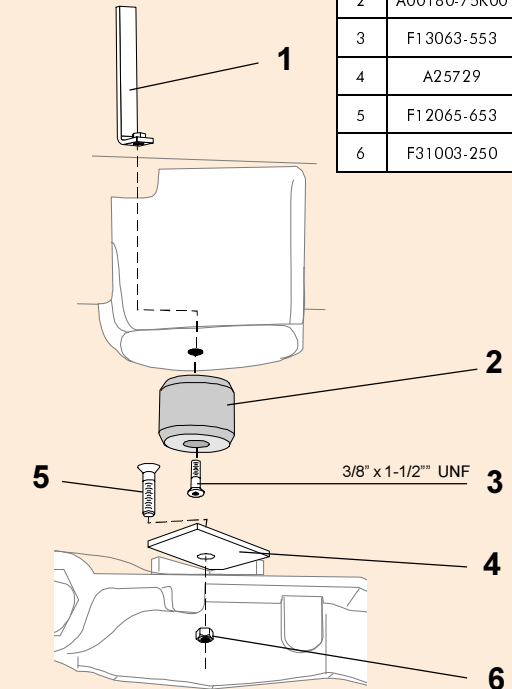
- Levante el vehículo dejando que los ejes cuelguen libremente.
- Retire la unidad del tope de suspensión existente del brazo de control inferior.
- Apriete el separador de caucho Timbren (#4) en el orificio existente en el brazo de control utilizando los elementos de sujeción provistos.
- Limpie cualquier desecho que haya quedado dentro del tubo del fabricante original del chasis e inserte la abrazadera del chasis (#1) a través de la parte superior del tubo.
- Apriete el perno (#3) al resorte de caucho Aeon®.
- Monte el resorte de caucho Aeon al tubo del chasis insertando el perno (#3) a través del orificio existente e ensartándolo en la abrazadera del chasis Timbren (#1).
- Baje el vehículo.

**NOTAS:**

Asegúrese de que el perno #5 esté nivelado con la superficie del separador de caucho Timbren #4. No apriete en exceso.

**Ref.** = Reference = No. de référence = Núm. de referencia  
**Part** = Part #. = No. de pièce = Núm. de pieza  
**Qty.** = Quantity = Quantité = Cantidad

Ref	Part	Qty
1	K10355-003	2
2	A00180-75K00	2
3	F13063-553	2
4	A25729	2
5	F12065-653	2
6	F31003-250	2



Do not exceed vehicle manufacturer's recommended axle weight rating. Check for AEON® interference with vehicle components - Under load AEON® will "expand" in diameter.

Ne pas dépasser le poids nominal sur l'essieu recommandé par le fabricant du véhicule. Vérifier que le ressort AEON® n'a pas d'incidence sur d'autres pièces du véhicule - Le ressort AEON® augmentera son diamètre avec la charge.

No exceda la carga nominal en el eje recomendada por el fabricante del vehículo. Compruebe que no haya interferencia entre el resorte AEON® y los otros componentes del vehículo. Bajo carga, el resorte AEON® se ampliará en diámetro.

FF150974A



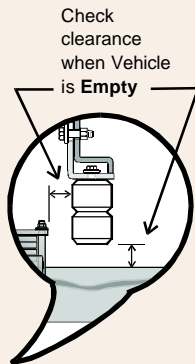


Ride Quality Control

# TIMBREN SES

Suspension Enhancement Systems

Typical Light Duty & Medium Duty Installation



Check clearance when Vehicle is Empty



Be sure Rubber spring is seated directly over lower support.

Typical Heavy Duty Installation



## Clearance Instructions

### For Light Duty Pickups & Vans

Rear SES kits should have approximately 1" gap between rubber spring and axle for 1/2 and 3/4 tons, and for one ton the gap should be about 1/2" when the vehicle is completely unloaded. A cap or fifth wheel plate will reduce or eliminate this gap.

Front SES kits are usually in contact with the front suspension at all times.

### For Medium Duty & Heavy Duty Trucks, Trailers, Motor Homes, and more

Medium & Heavy Duty vehicles often have pre-load as outlined in the instruction sheet. (For specific Medium Duty applications with a constant load on the suspension like Rvs, Utility Vans or Cube Vans, the Timbren SES kits are pre-loaded.)

**Check clearances when vehicle is empty...**

## Consider Your Needs..!

Knowing the use of the vehicle will help you to select the right SES kit. For example a one ton truck can be configured as a pick-up, service vehicle or tow truck. Standard capacity or severe service applications are available for many applications.

Knowing that the suspension has been modified or is old and sagging should indicate the need to adjust the ride height to obtain the correct clearance.

This can be done by altering the SES kit (changing rubber spring or bracket) or re-arching the leaf springs to renew the optimum OEM ride height.

## Limited Lifetime Warranty

*TIMBREN SES kits are warranted against defects in material and workmanship, under normal use and service, for the life of the vehicle on which the kit was originally installed. The warranty is not transferable and proof of purchase is required. The warranty is limited to the replacement of the failed part. TIMBREN will not be responsible for any labour or freight charges involved in the replacement of any product. TIMBREN shall be entitled to make its own inspection to determine the validity of the warranty claim. TIMBREN shall not be liable nor warrant the product in the event of alteration, misuse, overload, negligence or damage caused by others.*

If ride is unsatisfactory in any way, please call:

**TIMBREN INDUSTRIES INC.**

**1-800-263-3113**

www.timbren.com  
email: sales@timbren.com